

NEA SMART R ROOM CONTROL UNIT

Installation and operating manual

CONTENT

1	Safety	3
1.1	Used symbols	3
1.2	Intended use	3
1.3	General safety warnings	3
2	Versions	4
2.1	Technical data	4
2.2	Compliance	4
3	Installation	5
3.1	Box contents	5
3.2	Installation	5
4	Operation	7
4.1	Overview and display	7
4.2	Commissioning (incl. pairing)	7
4.3	Operation	7
4.4	Wireless test	7
5	Troubleshooting, Cleaning and Decommissioning	8
5.1	Troubleshooting	8
5.2	Changing the batteries	8
5.3	Cleaning	8
5.4	Disposal	8



More information on the Nea Smart control system and all documentation available for download can be found at

www.rehau.com/neasmart



1 SAFETY

1.1 Used symbols



There is danger for life and limb.

1.2 Intended use

The Nea Smart R room control unit (in the following abbreviated as room control unit) is a room control unit for the base station Nea Smart R 230 V.

The device is intended

- for the control of the base station Nea Smart R 230 V.
- the registration of the room temperature and the setting of the desired target temperature in the allocated heating zone.

Every other use is outside its intended use for which the manufacturer cannot be held liable.

1.3 General safety warnings



Danger to life in case of swallowing

Small children might swallow the knob.

- Install room control unit outside the reach of small children.

These instructions are part of the product.

- Retain this manual and provide it to future owners.

2 VERSIONS

2.1 Technical data

Nea Smart R room control unit	
Floor temperature monitoring	–
Power supply	2 x LR03/AAA (micro battery) alkaline
Battery lifetime	> 2 years
Wireless technology	Wireless, 868 MHz SRD band
Range	25 m (in buildings)
Protection type/protection class	IP20 / III
Ambient temperature	0 to 50 °C
Ambient humidity	5 to 80%, not condensing
Dimensions (HxWxD)	85 x 85 x 26 mm
Target temp. setting range	10 to 28 °C
Target temp. resolution	0.25 K
Actual temp. measuring range	0 to 40°C (int. sensor)
Measuring accuracy of internal NTC	±0.3 K

Tab. 2-1 Technical data Nea Smart R room control unit

2.2 Compliance

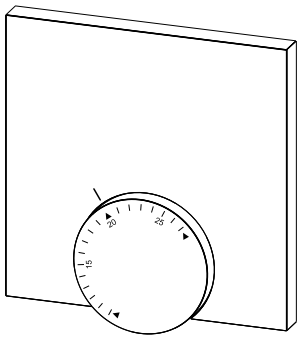
This product is labelled with the CE Marking and thus is in compliance with the requirements from the guidelines:

- 2004/108/EG with amendments “Council Directive on the approximation of the laws of the Member States relating to Electromagnetic Compatibility”
- 2006/95/EG with amendments “Council for Coordination of the Regulations of EU Member Countries regarding the electrical equipment for use within certain voltage limits”
- “Radio and Telecommunications Terminal Equipment Act (FTEG) and Guideline 1999/5/EG (R&TTE)”

Increased protection requirements may exist for the overall installation, the compliance of which is the responsibility of the installer.

3 INSTALLATION

3.1 Box contents



1 x



2 x



1 x

Fig. 3-1 Box contents

3.2 Installation

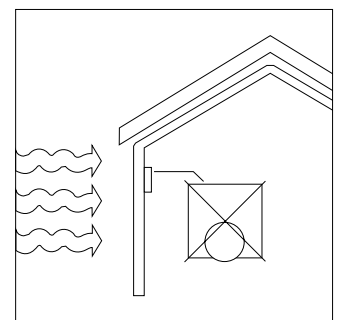
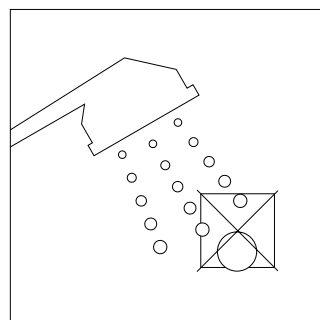
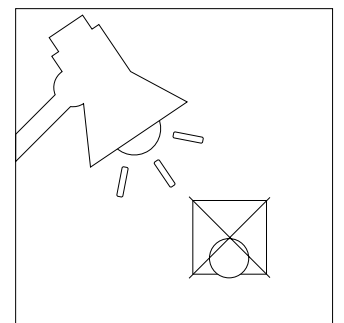
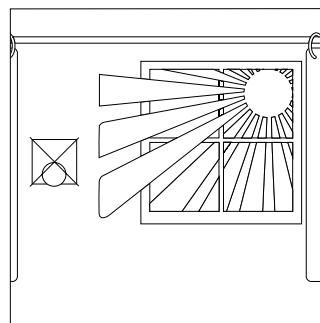
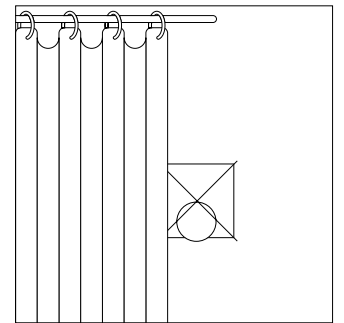
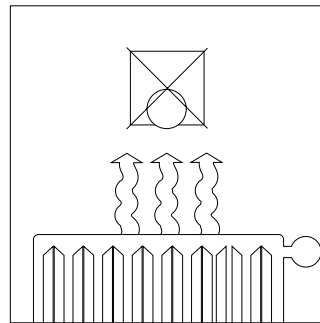
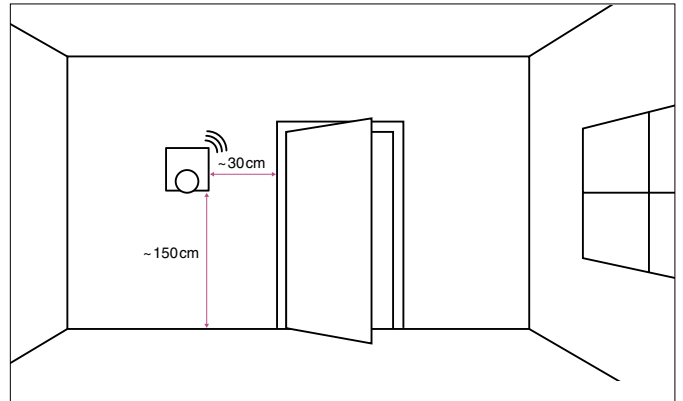


Fig. 3-2 Notes on the mounting location of the room control unit

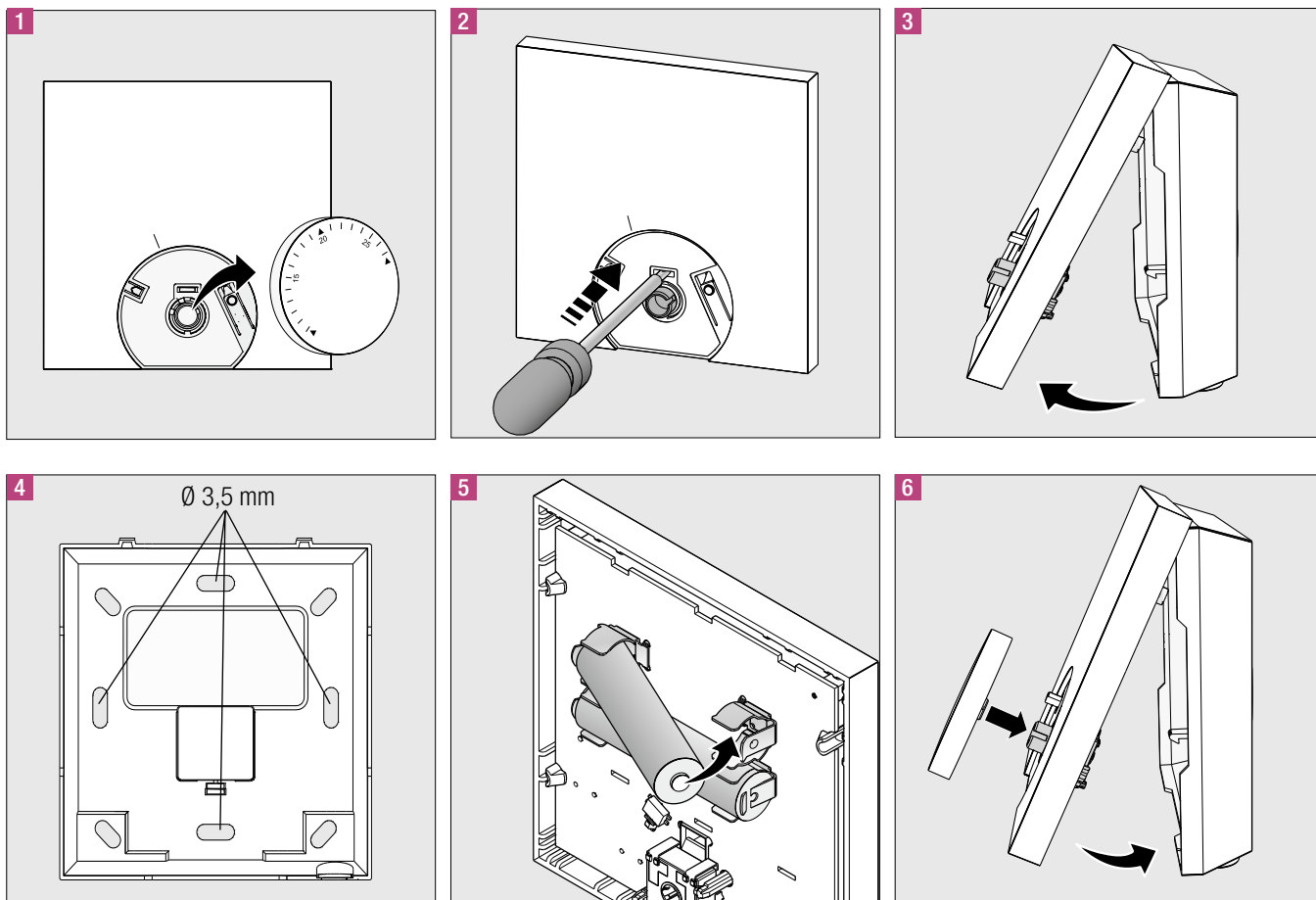


Fig. 3-3 Installation and connection of the room control unit

4 OPERATION

4.1 Overview and display

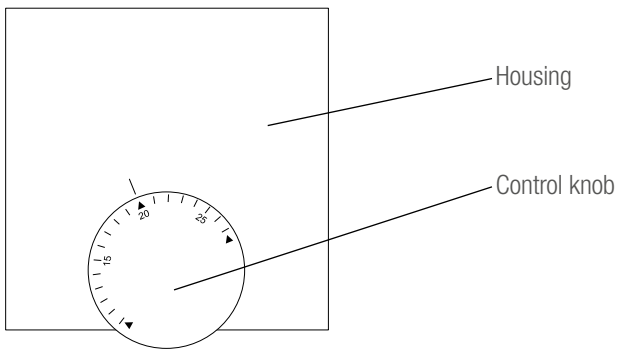


Fig. 4-1 Front view of Nea Smart R room control unit

4.2 Commissioning (incl. pairing)

1. Remove the control knob.
2. Activate the pairing function at the base station for the desired heating zone (see manual base station Nea Smart R 230 V).
3. Press the pairing button (see figure below) briefly in order to activate the pairing function of the room control unit.
The base station and the room control unit are connected to each other.

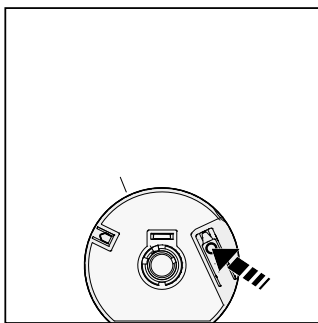


Fig. 4-2 Pairing button under the rotary knob

4.3 Operation

Set the target temperature by rotating the control knob.

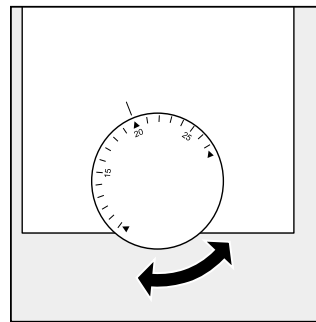


Fig. 4-3 Selecting the target temperature

4.4 Wireless test

Press the pairing knob briefly in order to activate the wireless test. At the base station, the heating zone connected to this room control unit is changed for 1 minute, in other words switched on or off depending on the previous operating status.

5 TROUBLESHOOTING, CLEANING AND DECOMMISSIONING

5.1 Troubleshooting

The error signalling is carried out via the heating zones LED on the base station assigned to the room control unit.

LED base station	Meaning	Solution
Heating zone Duration in sec. 	Wireless connection to the room control unit faulty	<ul style="list-style-type: none"> - Move position of the room control unit - Install active antenna or repeater
Heating zone Duration in sec. 	Low battery	<ul style="list-style-type: none"> - Replace batteries in the room control unit
Heating zone flash duration in sec. 	Safe mode active	<ul style="list-style-type: none"> - Change batteries of room control unit - Activate test for wireless operation - Reposition the room control unit. - Replace defective device

Tab. 5-1 Error display on the base station

5.2 Changing the batteries



Danger to life in case of swallowing

Small children can swallow batteries/rotating knobs. Do not leave the room control unit unattended during a battery change.

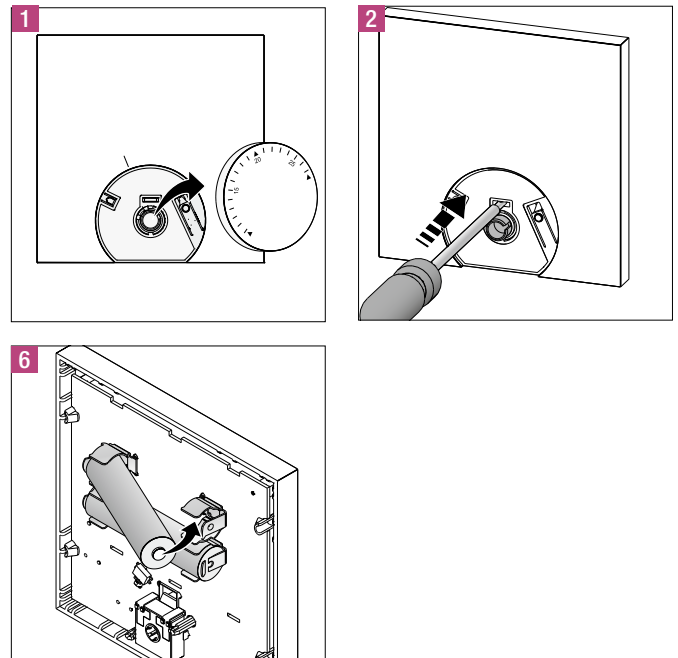


Fig. 5-1 Changing the batteries

Activate the room control unit after changing the batteries by pressing the pairing knob shortly.

5.3 Cleaning

Only use a dry and solvent-free, soft cloth for cleaning.

5.4 Disposal



The batteries and the room control unit must not be disposed with domestic waste. The user has the duty to dispose of the devices at designated collection points. The separate collection and orderly disposal of all materials will help to conserve natural resources and ensure a recycling in a manner that protects human health and the environment. If you need information about collection points for your devices, please contact your local municipality or your local waste disposal services.

This document is protected by copyright. All rights based on this are reserved. No part of this publication may be translated, reproduced or transmitted in any form or by any similar means, electronic or mechanical, photocopying, recording or otherwise, or stored in a data retrieval system.

Insofar as the intended application deviates from that described in the relevant Technical Information brochure, the user must consult REHAU and must receive express written consent from REHAU before commencing this utilization. If the user fails to do so, the sole responsibility for the utilization shall lie with the individual user. In this case, the application, use and processing of products are beyond our control. Should a case of liability arise, however, this shall be limited to the value of the goods delivered by us and used by you in all cases of damage. Claims arising from granted guarantees shall become invalid in the case of intended applications that are not described in the Technical Information brochures.

REHAU SALES OFFICES

AE: Middle East, +971 4 8835677, dubai@rehaus.com **AR: Buenos Aires**, +54 11 48986000, buenosaires@rehaus.com **AT: Linz**, +43 732 3816100, linz@rehaus.com **Wien**, +43 2236 24684, wien@rehaus.com **Graz**, +43 361 403049, graz@rehaus.com **AU: Adelaide**, +61 8 82990031, adelaide@rehaus.com **Brisbane**, +61 7 55271833, brisbane@rehaus.com **Melbourne**, +61 3 95875544, melbourne@rehaus.com **Perth**, +61 8 94564311, perth@rehaus.com **Sydney**, +61 2 87414500, sydney@rehaus.com **AZ: Baku**, +99 412 5110792, baku@rehaus.com **BA: Sarajevo**, +387 33 475500, sarajevo@rehaus.com **BE: Bruxelles**, +32 16 399911, bruxelles@rehaus.com **BG: Sofia**, +359 2 8920471, sofia@rehaus.com **BR: Arapongas**, +55 43 31522004, arapongas@rehaus.com **Belo Horizonte**, +55 31 33097737, belo Horizonte@rehaus.com **Caxias do Sul**, +55 54 32146606, caxias@rehaus.com **Mirassol**, +55 17 32535190, mirassol@rehaus.com **Recife**, +55 81 32028100, recife@rehaus.com **BY: Minsk**, +375 17 2450209, minsk@rehaus.com **CA: Moncton**, +1 506 5382346, moncton@rehaus.com **Montreal**, +1 514 9050345, montreal@rehaus.com **St. John's**, +1 709 7473909, stjohns@rehaus.com **Toronto**, +1 905 3353284, toronto@rehaus.com **Vancouver**, +1 604 6264666, vancouver@rehaus.com **CH: Bern**, +41 31 720120, bern@rehaus.com **Vevey**, +41 21 9482636, vevey@rehaus.com **Zuerich**, +41 44 8397979, zuerich@rehaus.com **CN: Guangzhou**, +86 20 87760343, guangzhou@rehaus.com **Beijing**, +86 10 64282956, beijing@rehaus.com **Shanghai**, +86 21 63551155, shanghai@rehaus.com **Chengdu**, +86 28 86283218, chengdu@rehaus.com **Xian**, +86 29 68597000, xian@rehaus.com **Shenyang**, +86 24 22876807, shenyang@rehaus.com **Qingdao**, +86 32 86678190, qingdao@rehaus.com **CO: Bogota**, +57 1 898 528687, bogota@rehaus.com **CZ: Praha**, +420 272 190111, praha@rehaus.com **DE: Berlin**, +49 30 667660, berlin@rehaus.com **Bielefeld**, +49 521 208400, bielefeld@rehaus.com **Bochum**, +49 234 689030, bochum@rehaus.com **Frankfurt**, +49 6074 40900, frankfurt@rehaus.com **Hamburg**, +49 40 733402100, hamburg@rehaus.com **Hannover**, +49 5136 891181, hannover@rehaus.com **Leipzig**, +49 34292 820, leipzig@rehaus.com **München**, +49 8102 860, muenchen@rehaus.com **Nürnberg**, +49 9131 934080, nuernberg@rehaus.com **Stuttgart**, +49 7159 16010, stuttgart@rehaus.com **Ingolstadt**, +49 841 142626200, ingolstadt@rehaus.com **DK: København**, +45 46 773700, københavn@rehaus.com **EE: Tallinn**, +372 6025850, tallinn@rehaus.com **ES: Barcelona**, +34 93 6353500, barcelona@rehaus.com **Bilbao**, +34 94 4538636, bilbao@rehaus.com **Madrid**, +34 91 6839425, madrid@rehaus.com **Fi: Helsinki**, +358 9 87709900, helsinki@rehaus.com **FR: Lyon**, +33 4 72026300, lyon@rehaus.com **Metz**, +33 6 8500, metz@rehaus.com **Paris**, +33 1 34836450, paris@rehaus.com **GB: Glasgow**, +44 1698 503700, glasgow@rehaus.com **Manchester**, +44 161 7777400, manchester@rehaus.com **Slough**, +44 1753 588500, slough@rehaus.com **Ross on Wye**, +44 1989 762643, rowy@rehaus.com **London**, +44 207 3078590, london@rehaus.com **GE: Tbilisi**, +995 32 559909, tbilisi@rehaus.com **GR: Athens**, +30 21 06682500, athens@rehaus.com **Thessaloniki**, +30 2310 633301, thessaloniki@rehaus.com **HK: Hongkong**, +8 52 28987080, hongkong@rehaus.com **HR: Zagreb**, +385 1 3444711, zagreb@rehaus.com **HU: Budapest**, +36 23 530700, budapest@rehaus.com **ID: Jakarta**, +62 21 45871030, jakarta@rehaus.com **IE: Dublin**, +353 1 8165020, dublin@rehaus.com **IN: Mumbai**, +91 22 61485858, mumbai@rehaus.com **New Delhi**, +91 11 45044700, newdelhi@rehaus.com **Bangalore**, +91 80 2222001314, bangalore@rehaus.com **IT: Pesaro**, +39 0721 200611, pesaro@rehaus.com **Roma**, +39 06 90061311, roma@rehaus.com **Treviso**, +39 0422 726511, treviso@rehaus.com **JP: Tokyo**, +81 3 57962102, tokyo@rehaus.com **KR: Seoul**, +82 2 50116556, seoul@rehaus.com **KZ: Almaty**, +7 727 3941301, almaty@rehaus.com **LT: Vilnius**, +370 5 2461400, vilnius@rehaus.com **LV: Riga**, +371 6 7609080, riga@rehaus.com **MA: Casablanca**, +212 522250593, casablanca@rehaus.com **MK: Skopje**, +389 2 2402, skopje@rehaus.com **MX: Celaya**, +52 461 6188000, celaya@rehaus.com **Monterrey**, +52 81 81210130, monterrey@rehaus.com **NL: Nijkerk**, +31 33 2479911, nijkerk@rehaus.com **NO: Oslo**, +47 2 2514150, oslo@rehaus.com **NZ: Auckland**, +64 9 2722264, auckland@rehaus.com **PE: Lima**, +51 1 2261713, lima@rehaus.com **PL: Katowice**, +48 32 7755100, katowice@rehaus.com **Warszawa**, +48 22 2056300, warszawa@rehaus.com **PT: Lisboa**, +351 21 8987050, lisboa@rehaus.com **Oporto**, +351 22 94464, oporto@rehaus.com **QA: Qatar**, +974 44101608, qatar@rehaus.com **RO: Bacau**, +40 234 512066, bacau@rehaus.com **Bucuresti**, +40 21 2665180, bucuresti@rehaus.com **Cluj Napoca**, +40 264 415211, clujnapoca@rehaus.com **RS: Beograd**, +381 11 3770301, beograd@rehaus.com **RU: Chabarowsk**, +7 4212 411218, chabarowsk@rehaus.com **Jekaterinburg**, +7 343 2535305, jekatarinburg@rehaus.com **Krasnodar**, +7 861 2103636, krasnodar@rehaus.com **Nishnij Nowgorod**, +7 831 4678078, nishnijnowgorod@rehaus.com **Novosibirsk**, +7 3832 000353, novosibirsk@rehaus.com **Rostow am Don**, +7 8632 978444, rostow@rehaus.com **Samara**, +7 8462 698058, samara@rehaus.com **St. Petersburg**, +7 812 3266207, stpetersburg@rehaus.com **Woronesch**, +7 4732 611858, woronesch@rehaus.com **SE: Orebro**, +46 19 206400, oerebro@rehaus.com **SG: Singapore**, +65 63926006, singapore@rehaus.com **SK: Bratislava**, +421 2 68209110, bratislava@rehaus.com **TH: Bangkok**, +66 27635100, bangkok@rehaus.com **TW: Taipei**, +886 2 87803899, taipei@rehaus.com **UA: Dnepropetrowsk**, +380 56 3705028, dnepropetrowsk@rehaus.com **Kiev**, +380 44 4677710, kiev@rehaus.com **Odesa**, +380 48 7800708, odesa@rehaus.com **Lviv**, +380 32 2244810, liviv@rehaus.com **US: Detroit**, +1 248 8489100, detroit@rehaus.com **Grand Rapids**, +1 616 2856867, grandrapids@rehaus.com **Los Angeles**, +1 951 5499017, losangeles@rehaus.com **Minneapolis**, +1 612 2530576, minneapolis@rehaus.com **VN: Ho Chi Minh City**, +84 8 38233030, sales.vietnam@rehaus.com **ZA: Durban**, +27 31 7657447, durban@rehaus.com **Johannesburg**, +27 11 2011300, johannesburg@rehaus.com **Cape Town**, +27 21 9821254, capetown@rehaus.com **East London**, +27 43 7095400, eastlondon@rehaus.com **If there is no sales office in your country**, +49 9131 925888, salesoffice.ibd@rehaus.com

© REHAU AG + Co
Rheniumhaus
95111 Rehaus
Subject to technical changes.

954625 EN 04.2015